



# Hi-Lo Activity Table

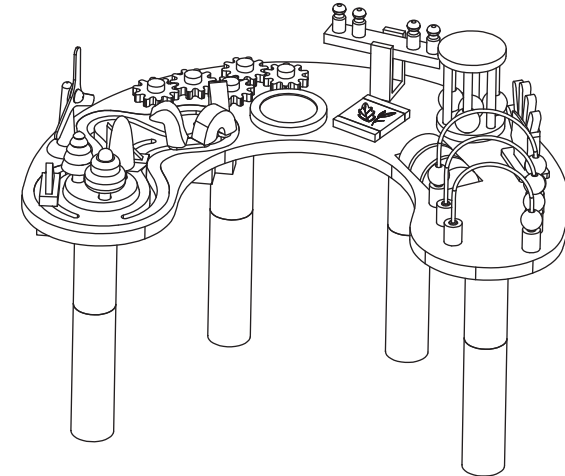
Assembly Instructions



WONDER & WISE  
P.O. Box 3054, City of Industry CA 91744  
wonderandwise.com

MADE IN CHINA

Facebook, Twitter, Pinterest, Instagram icons @wonderandwise



**WARNING:**  
Assembly by an adult.

**WARNING:**  
Keep away from flame.  
Adult supervision recommended.  
Assembly by an adult.

**AVERTISSEMENT:**  
Garder à l'écart du feu  
et ériger sous la surveillance d'un adulte.  
Assemblée par un adulte.

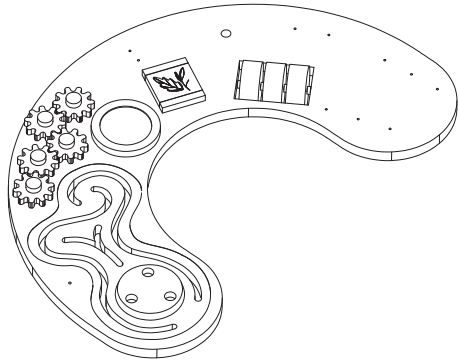
**ADVERTENCIA:**  
Mantenga alejado del fuego  
y ensamble bajo supervisión de adultos.  
Asamblea por un adulto.

P.O. Box 3054  
City of Industry CA 91744  
T: 626.333.4222  
E: info@asweets.com  
www.wonderandwise.com

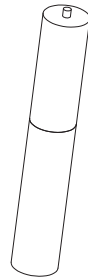
Designed in USA Made in China

# WONDER & WISE®

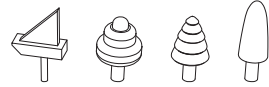
## Parts:



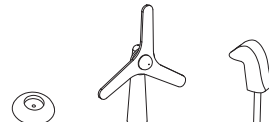
A x1



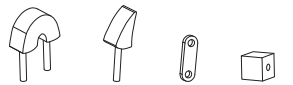
B x4



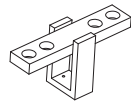
C x2 D x1 E x1 F x1



G x1 H x1 I x1



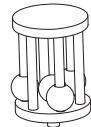
J x1 K x1 L x2 M x6



N x1



O x4



P x1



Q x1



R x1

S x1

T x1



U x4  
18mm

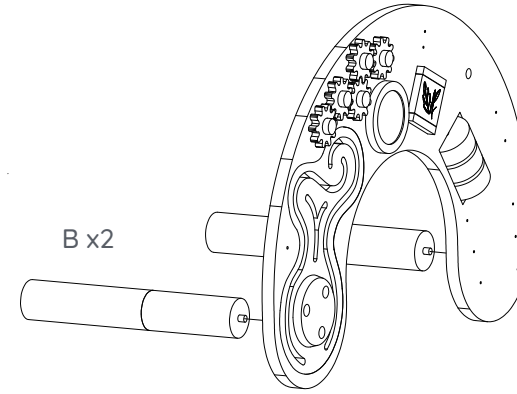


V x12  
22mm



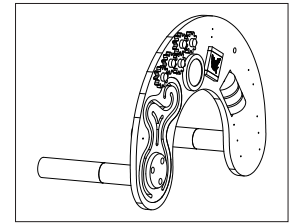
W x1  
40mm

## Step 1

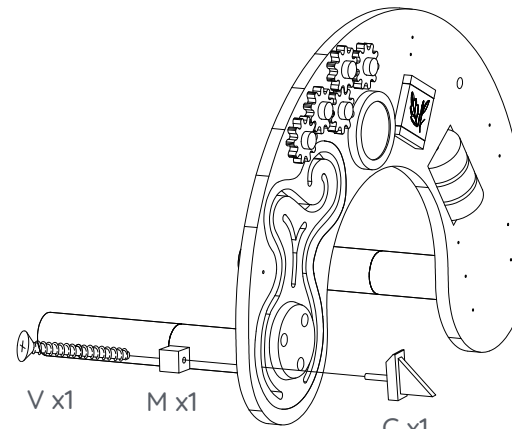


B x2

A x1



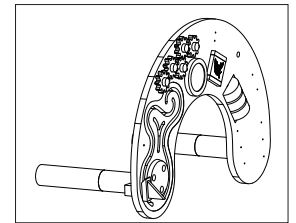
## Step 2



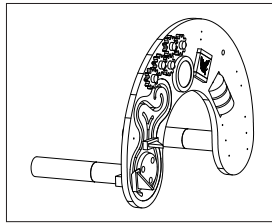
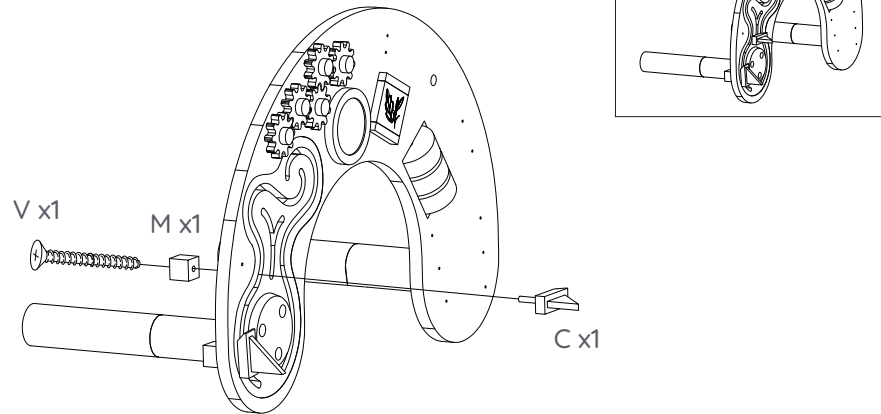
V x1

M x1

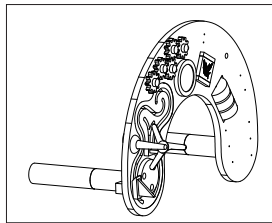
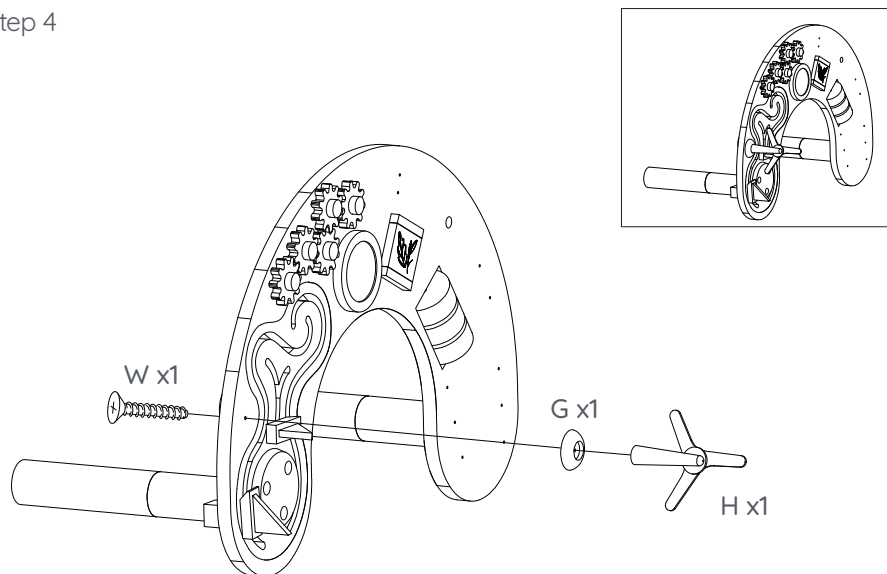
C x1



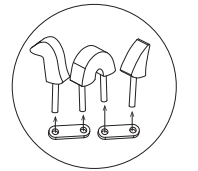
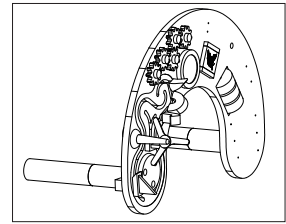
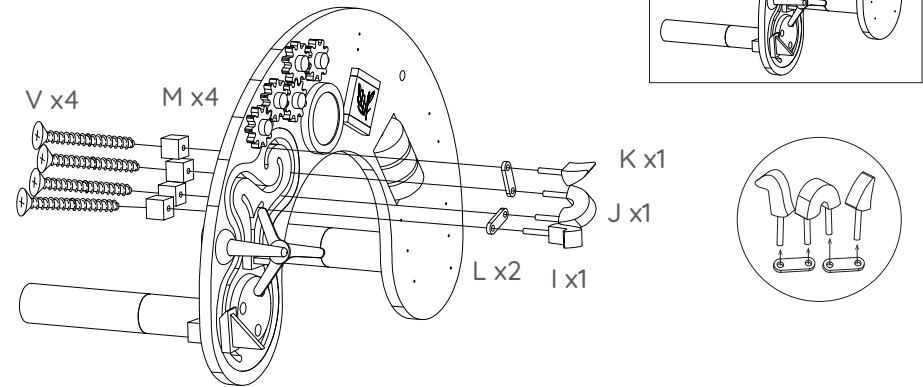
Step 3



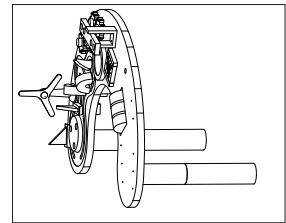
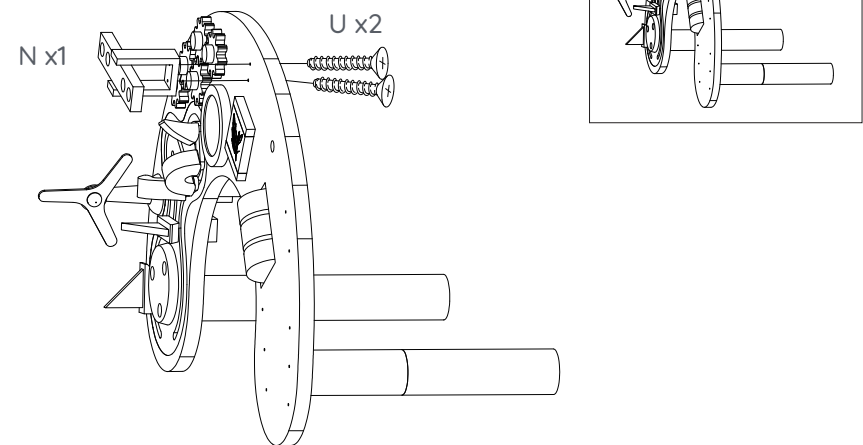
Step 4



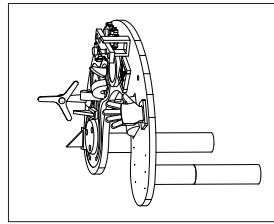
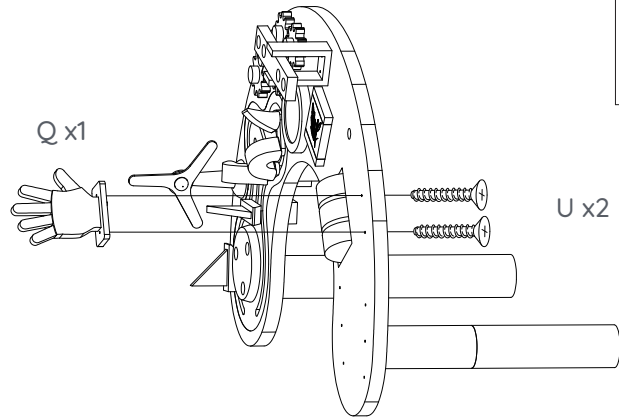
Step 5



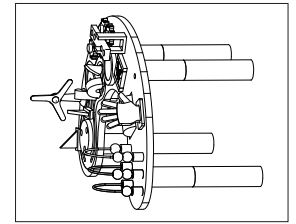
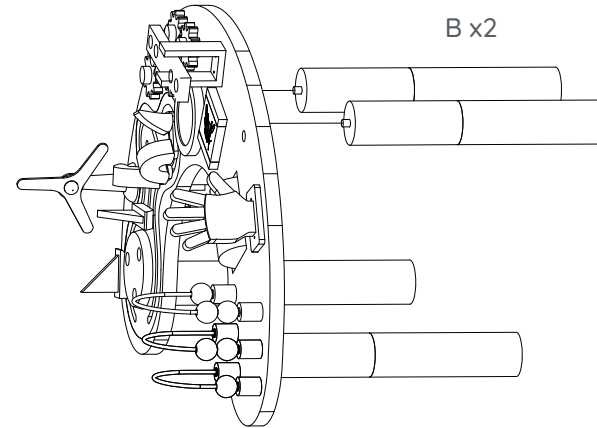
Step 6



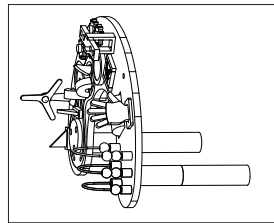
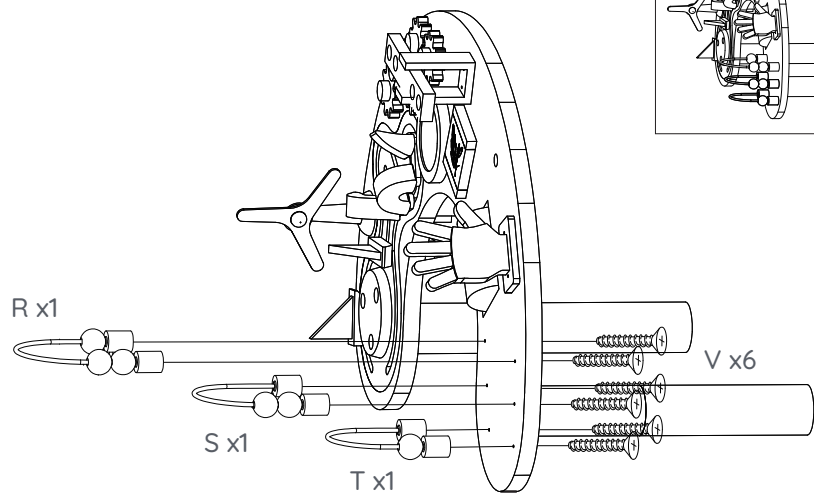
Step 7



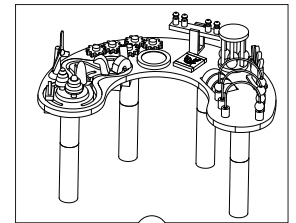
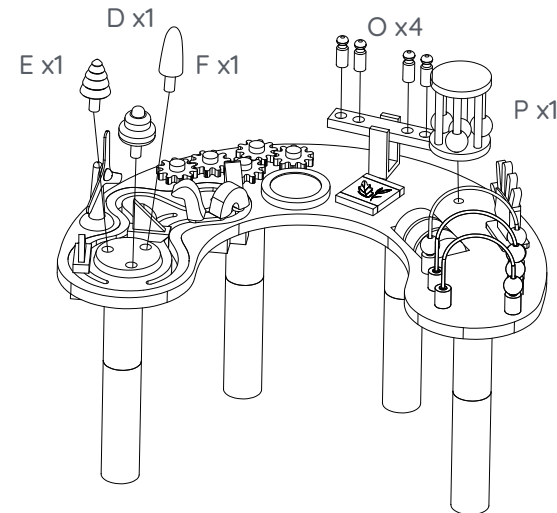
Step 9



Step 8



Step 10



or

